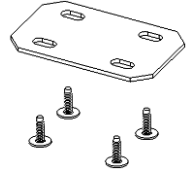


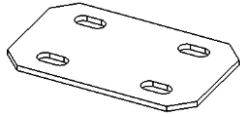
## MWS30-ISL72 72" Island Installation

This document shows how to connect the MWS30-ISL72 Island with Workstations using the Metal Plate.

**Note:** If you cannot understand these instructions or are concerned about safety of the installation contact a qualified contractor or contact AVFI at 1-866-405-0655



### Supplied Hardware



Connecting Plate  
(4)



20mm Hex drive Bolt  
(16)

### Tools required

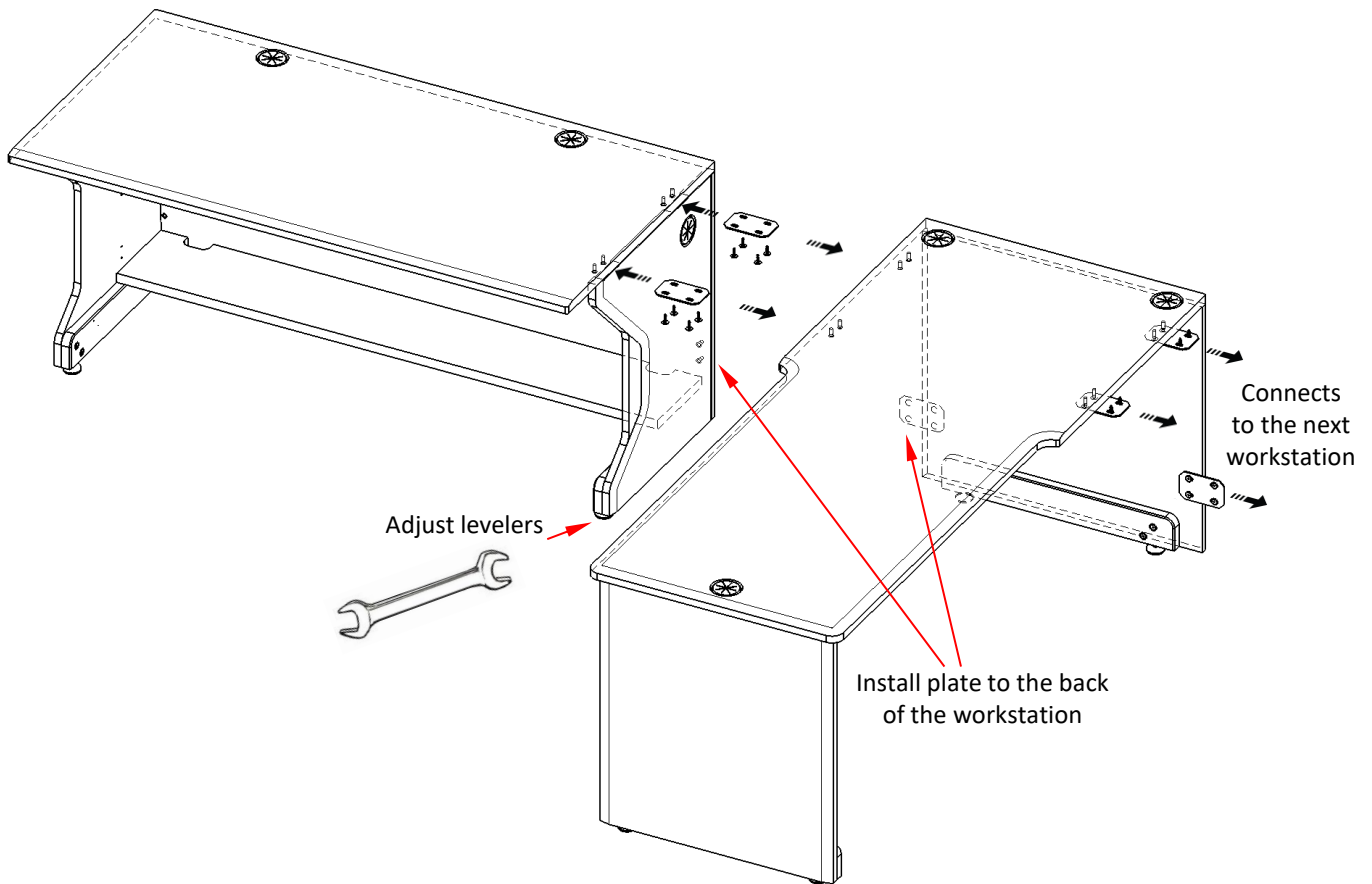


Allen key 4mm



9/16" (14mm) Wrench or adjustable wrench for adjusting the levelers

- 1 Introduce the plates through the side openings of the workstation and insert the bolts, but do not tight until connecting the Island.  
**Make sure the workstations are leveled for the plates to fit properly.** Tighten all screws once all is in place.



Installation  
completed